

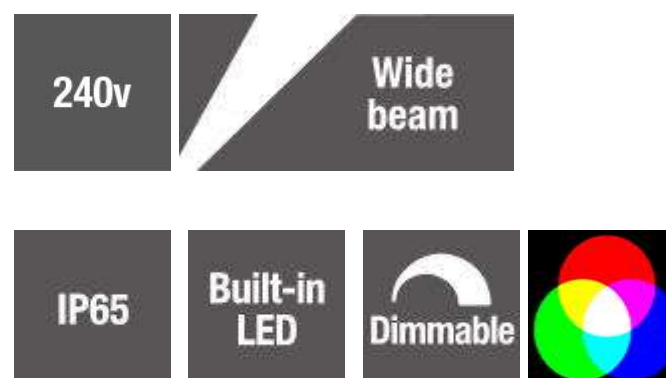
RGBCCT240 - RGB + CCT LED Spot 9W 240V

Description

RGB + CCT LED spotlight 9w 240V with its compact size and slim-line design makes it a neat unobtrusive fitting for uplighting shrubs and small trees up to 3m in height. The RGBCCT240 can be controlled by the RGBCCT092 - Touchzone RGB + CCT Remote (Supplied separately) or by your Smart phone when you purchase the RGBIBOX2 - Wifi iBox Controller. The Touchzone remote and RGBIBOX2 allows you a full range of colour changing and operation of pre-programed colour displays. You can also select from a range of white colour temperatures to give you your preferred white and allows dimming of both white and colour functions.



Colour/ Finish	black powder coated aluminium
Exterior Dimensions	136mm x 135mm and 35mm deep

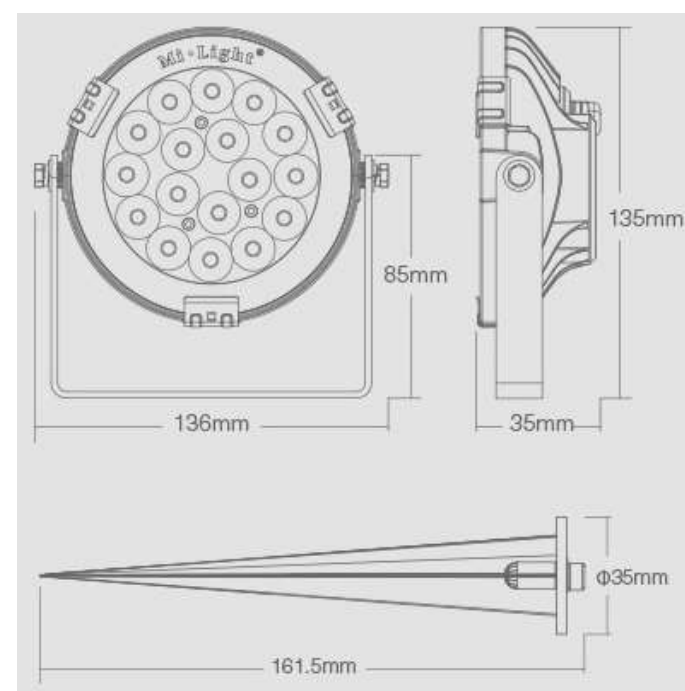


Stirrup bracket mounts on walls or the optional E2530M ground spike. Alternatively, the E4013BN can be used for mounting on a tree. A 400mm input cable is provided for connection to the mains supply via a separate weatherproof junction box, junction box or underground joint kit (not supplied).

Using a single RCD for large numbers of 240v fittings is not recommended due to the risk of nuisance tripping. We advise the use of separate RCD protection for each circuit and a maximum of 12 fittings per RCD

To connect the RGBCCT092 controller power off then power on. Within 3 seconds touch the 'zone-On' buttons quickly 3 times. Once the LED flashes green set up is complete.

To un-link repeat this process but press 'Zone-On' 5 times. The lights will now flash red.



2 YEAR WARRANTY

Powder coated aluminium body & fitting

Excludes: Damage by machinery, animals or the use of incorrect climbing tools etc.
Corrosion due to exposure to salt or chlorine.
Damage due to incorrect installation/ practices.
Responsibility for 3rd party work and their or consequential loss.