

EP32000- Meridian LED Marker Wall Light 12v/24v DC - 2w-12lm-120°-2700K- IP67- 316 Stainless Steel

Description

The Elipta Meridian LED Marker wall light is a beautifully made outdoor LED lighting fixture. A modern LED wall light suitable for outdoor lighting, with a backlit 'halo' light that creates a very stylish looking LED recessed light with a subtle, soft glow. A lovely example of a high quality LED recessed light with fine detailing, suitable for entrance features, porches, doorways, paths and outside patio areas. The Meridian is a recessed, low voltage outdoor wall light; 12/24v DC with a built-in 2w LED and pre-wired with 2m HO5RN-F cable. Purchase power supply separately.



Electrical data	12v/24v DC 2w 2700K 12lm. Requires 12v or 24v constant voltage dc power supply.
Colour/ Finish	316 Grade Stainless Steel top. Aluminium body. Plastic recess sleeve.
Exterior Dimensions	Top 44mm diameter. body of 40mm. sleeve 40mm x 60mm.

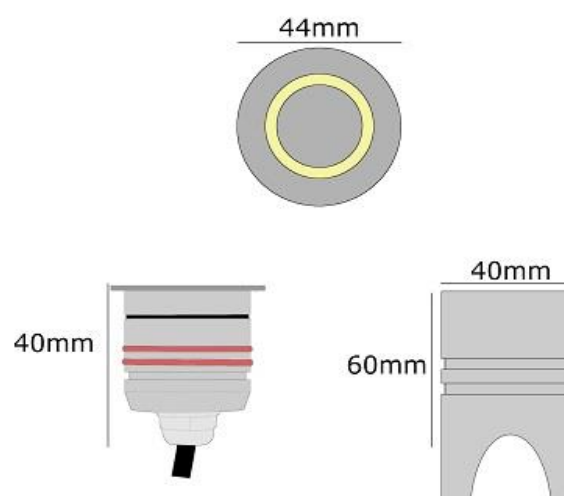
IP67	12v/24v DC	Pre-wired 2m	50,000 Hours
Wide beam	Built-in LED		

Installation guidelines

Meridian Marker lights can be arranged in custom layouts using cable joint kits and 1.5mm cable, which is more flexible than kit-type products. Connect to the end of a low voltage cable using T9962 cable joint kit; for splicing into a run of cable use T9963 cable splice kit.

Do not use wire wound transformers or constant current power supply.

Do not exceed 60% of the nominal rating when selecting your DC constant voltage power supply



3 YEAR WARRANTY

Exclusions: Damage by machinery, animals or the use of incorrect cleaning materials. Damage due to incorrect installation practices. Responsibility for 3rd party cost; indirect or consequential loss.