

Elipta EP4340- Spike3 garden spotlight - 12v dc - 3w CREE LED - 130lm - 40° - 2700K - IP67 - Anodised Anthracite

Description

The Elipta Spike3 LED garden spike spotlight has a modern yet discreet anodised finish making it a suitable fitting for both modern and traditional garden settings. Extra glare protection is available with the use of the EPGS46 glare shield. Powered from a 12v DC constant voltage LED power supply, the Elipta Spike3 CREE LED spike spotlight is a safe option, while making it more flexible than 240v fittings if the lights need to be relocated due to the changes in the garden caused by seasonal fluctuations. By removing the spike from the fitting, the spotlight can be mounted onto a pergola or garden wall and used as a downlighter.

Electrical	12v built-in 3w CREE LED130lm 2700k 40° beam angle
Colour/ Finish	Anthracite anodised aluminium
Exterior Dimensions	78mm x 42mm. Bracket 51mm tall



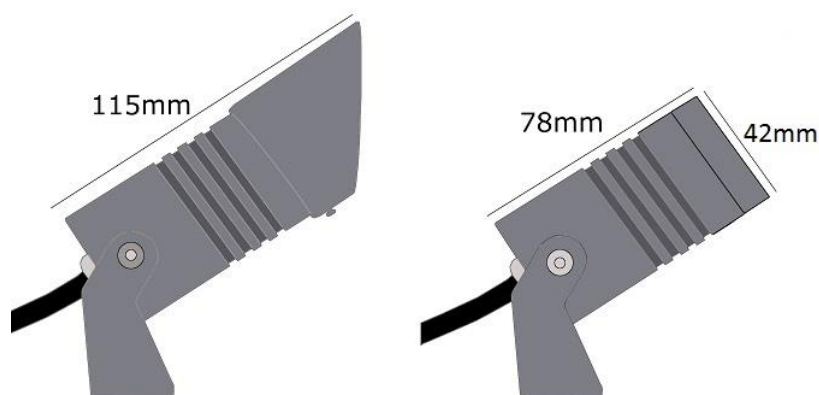
Installation guidelines

1.5 metres of 2 core cable fitted for connection to a 12v DC constant voltage LED power supply or to a cable from a 12v LED power supply using T9962 cable joint kit or T9963 cable splice kit.

Do not use wire wound transformers or constant current power supply.

Do not exceed 60% of the nominal rating when selecting your DC constant voltage power supply

12v DC	IP67	Pre-wired 1.5m	50,000 Hours
Beam 40°		Built-in LED	



3 YEAR WARRANTY

Exclusions: Damage by machinery, animals or the use of incorrect cleaning materials. Damage due to incorrect installation practices. Responsibility for 3rd party cost; indirect or consequential loss.