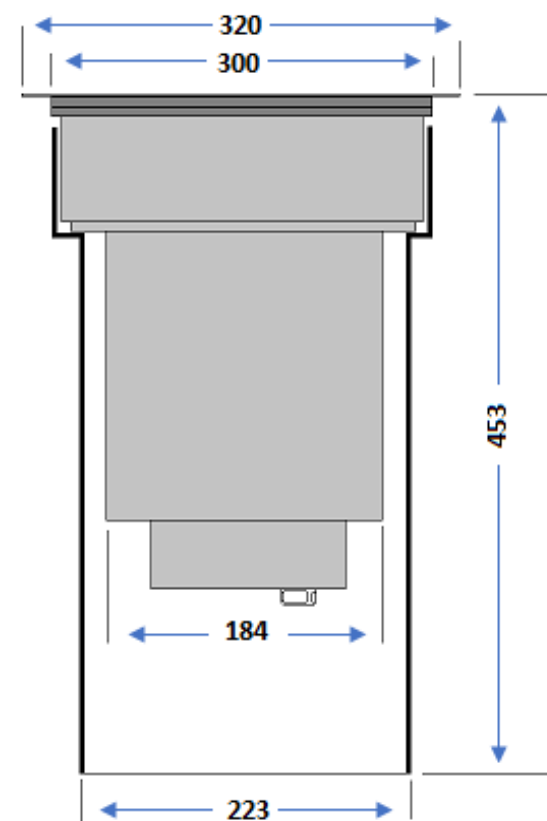


E96704S- Olympus 70 Recessed Uplight - 70w 36° - Green

Description

Olympus recessed adjustable uplights combine a cool top lens, long lamp life and energy efficiency for uplighting trees from lawns or paving. Olympus provides a powerful 36 degree uplighting beam, using a single-ended metal halide lamp, while maintaining a typical top lens temperature of under 70 degrees C. The lamp and reflector assembly is mounted on an adjustable cradle so the beam can be tilted up to 20 degrees from vertical to achieve the desired effect. Olympus has an upper compartment with a separate top lens insulated by an inner second lens from heat generated in the lower compartment which houses the lamp and control gear. Order lamps separately.

Colour/ Finish	Powder coated green top with a cast aluminium body with borosilicate glass lenses and plastic soil sleeve.
Exterior Dimensions	320mm x 534mm.
cable	Pre-wired with 1m of 3 x 1.5mm ² H07RN-F (cable OD 10mm Approx.)



Installation guidelines

Direct burial in the ground: prewired with rubber cable and 20mm IP68 gland for connection to mains supply via a separate underground joint kit (order T9969 separately). Provide 300mm depth of shingle drainage below the uplight: do not use in waterlogged ground. **Using a single RCD for large numbers of 240v fittings is not recommended due to the risk of nuisance tripping. We advise the use of separate RCD protection for each circuit and a maximum of 12 fittings per RCD. Where a garden lighting installation of more than 12 spike mount or recessed lights per circuit is proposed, we suggest the installation of 12v units with transformers, which results in a significantly higher fault tolerance and reliability in the total installation.**

**2 YEAR
WARRANTY**

**Powder coated aluminium
body & fitting**

Exclusions: Damage by machinery, animals or the use of incorrect cleaning materials. Corrosion due to exposure to salt or chlorine. Damage due to incorrect installation practices. Responsibility for 3rd party cost; indirect or consequential loss

**2 YEAR
WARRANTY**

**Internal wiring
& lampholder**

Exclusions: Damage due to incorrect lamp fitting or lamps above specification. Responsibility for 3rd party cost; indirect or consequential loss

For further technical advice
call: **01462 486777** or
email: **technicalsupport@lightingforgardens.com**

www.lightingforgardens.com