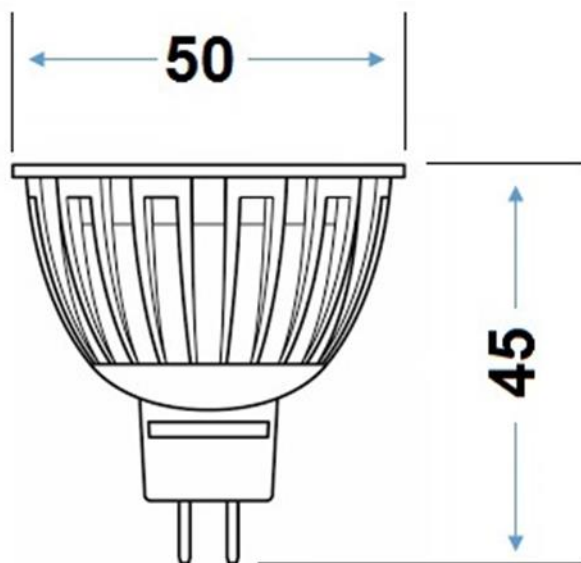


Elipta MR16-250-60°-27K - MR16 250lm 2700K Warm White 60°

Description

MR16-250-60°-27K is a 250lm warm white (2700K) LED lamp that consumes 3w when powered by a constant voltage DC power supply, or 5w when powered by a wire-wound (magnetic) transformer. It has an output of 250lm and a beam angle of 60° for uplighting shrubs or downlighting around a terrace. This non-dimmable LED has a life expectancy of 25,000 hours.



Wattage	3w on constant voltage power supply. 5w on wire-wound (magnetic) transformer.
Lumens	250Lm, roughly equivalent to a 25w halogen
Colour Temp	warm white 2700K
Input Voltage	12v AC/DC
Lamp Type	MR16
Dimmable	No
Dimensions	45mm high including pins and lens 50mm diameter

