

Elipta EP4525- Spike5 garden spotlight - 12v dc - 5w - 400lm - 25° - 2700K - IP67 - Anodised Anthracite

Description

Elipta Spike5 is a garden spike light constructed from precision cnc lathed aluminium, has a built-in LED with a 25° beam angle and modern anodised finish. Powered from a 12v DC constant voltage LED power supply, it makes the Elipta Spike5 LED spike spotlight a safe option, while making it more flexible than 240v fittings when the lights need to be relocated due to the changes in the garden caused by seasonal fluctuation. By removing the spike from the fitting, the LED spotlight can be easily mounted onto an outside wall for patio lighting or installed on the side of a pergola and used as an LED downlight.



Electrical	12v built in 5w 400lm LED 2700k warm white 25° beam angle
Colour/ Finish	Anthracite anodised aluminium
Exterior Dimensions	78mm x 42mm. Bracket 51mm tall

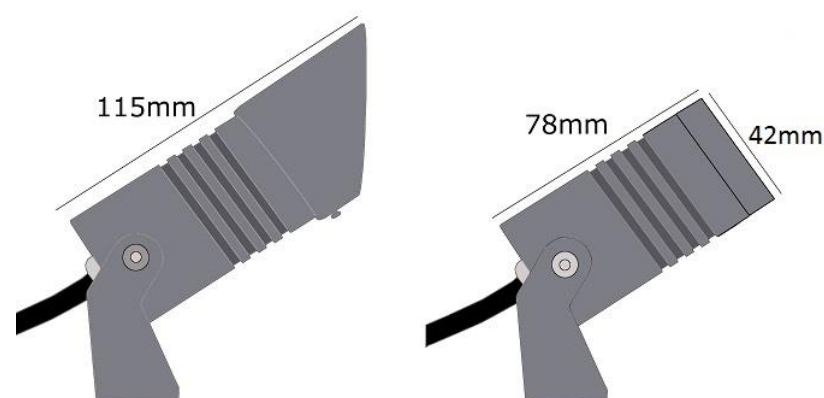
12v DC	Pre-wired 1.5m	IP67	50,000 Hours
Beam 25°		Built-in LED	

Installation guidelines

1.5 metres of 2 core cable fitted for connection to a 12v DC constant voltage LED power supply or to a cable from a 12v LED power supply using T9962 cable joint kit or T9963 cable splice kit.

Do not use wire wound transformers or constant current power supply.

Do not exceed 60% of the nominal rating when selecting your DC constant voltage power supply



3 YEAR WARRANTY

Exclusions: Damage by machinery, animals or the use of incorrect cleaning materials.
Corrosion due to exposure to salt or chlorine.
Damage due to incorrect installation practices.
Responsibility for 3rd party cost; indirect or consequential loss

For further technical advice
call: **01462 486777** or
email: **technicalsales@lightingforgardens.com**

www.lightingforgardens.com