

E9845WW - Elipta Titan45 LED Spotlight



Installation notes

Ensure mains supply is isolated prior to installation of this product.

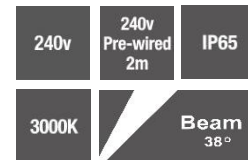
Cable connections can be made using a T9966 IP68 in-line connector or any IP rated junction box

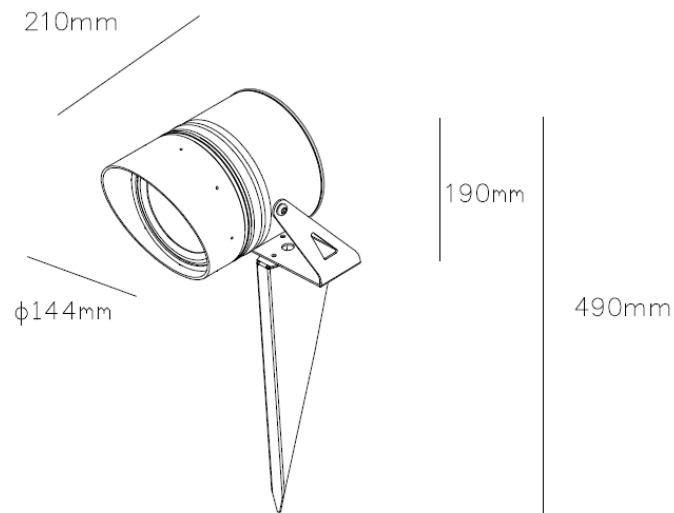
Recommended 12 fittings per circuit maximum.

Refer to the instruction manual for further guidance.

Note – This product must be installed by a qualified electrician.

Part code	E9845WW
Diffuser	Clear
Dimensions (mm)	490x210x144
Cable length (mm)	2000
Construction	Aluminium/304 Stainless Steel
Finish	Matt Black Powder Coat
Class	Class I
IP rating	IP65
Wattage	45W
Lumen output	4900lm
Beam angle	38°
CCT	3000K
Lamp included	Yes
Dimmable	No
Input voltage	240V 50Hz
Net weight (g)	3600
Gross weight (g)	3900
Warranty	2 Years
Manufactured in accordance with	BS EN 60598
Origin of manufacture	PRC





2 YEAR WARRANTY

Exclusions: Damage by machinery, animals or the use of incorrect cleaning materials. Corrosion due to exposure to salt or chlorine. Damage due to incorrect installation practices. Responsibility for 3rd party cost; indirect or consequential loss.