

E4135M Screw-on tree mount IP65 12v Matt black Micro Spotlight MR11

Fully adjustable 12v Micro spot with aluminium body, in a black powder coated finish. Flush, tempered glass lens to prevent water accumulation, and a longer body to help shield the lamp from view. It can accommodate a wide range of MR11 LED lamps. Supplied with E4012B black screw-on mounting bracket



PHYSICAL DATA

- IP65 rated Compact spotlight measuring 78mm x 40mm
- Adjustable knuckle joint to allow easy positioning
- Supplied with E4012B screw on tree mount

ELECTRICAL DATA

- 12v operation – Requires supply from external transformer or power-supply
- The E4135M comes fitted with a 1.5 metre heavy duty rubber twin core 0.75mm HO7 RNF cable

RECOMMENDED LAMPS (purchase separately)

MR11COB LED
MR11 Halogen

INSTALLATION

Unscrew bezel and insert lamp. Apply small amount of grease to thread and screw back on to the body of the light. Secure bracket to the tree. Fit the centre bush of the E4012B tree mount. Cable connections can be made using a T9962 Cable Joint Kit, T9963 Cable Splice Kit or a T9966 IP68 in-line connector or any IP rated junction box

COMPLIANCE & WARRANTY

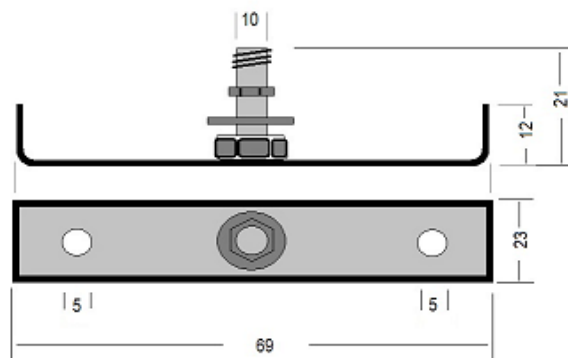
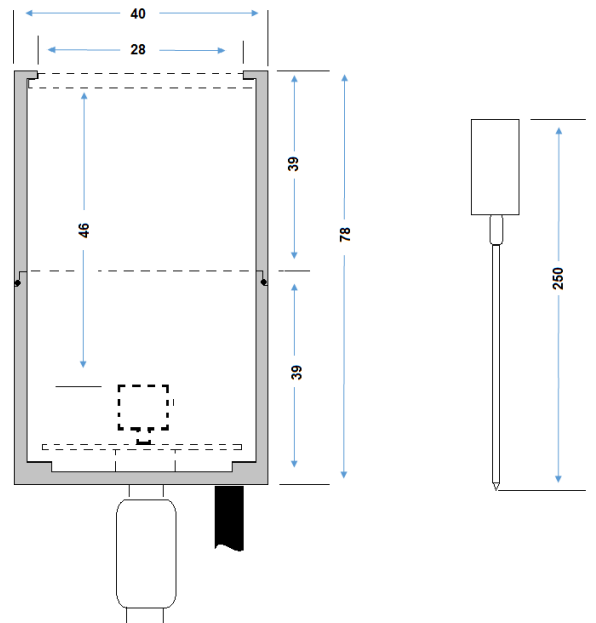
- 2 year warranty
- CE / RoHS Compliant

Lighting for Gardens Limited. Registered No.3678804.
Registered Office: Lower Clough Mill, Pendle Street, Barrowford, Lancashire BB9 8PH
VAT No 587 6855 66
Web: www.lightingforgardens.com
Email: technicalsupport@lightingforgardens.com

Product design & specification subject to change or modification without notice. Image for illustration only. E&OE

ACCESSORIES

E4011	Glare Louvre	35mm Honeycomb provides glare protection
T9962	Cable joint kit	To make connection to extension cable or transformer
T9963	Cable splice kit	Used to connect two lights to a single cable
T9966	In-line joint kit	IP68 connector where a joint box is not required
T2524	Transformer	50va Ground burial transformer
T2534	Transformer	100va Ground burial transformer
T9502	Transformer	20va surface-mount transformer
T9504	Transformer	40va surface-mount transformer
T9510	Transformer	100va surface-mount transformer
T9911	Cable	2 core ground burial cable 4mm ² 25m reel
T9912	Cable	2 core ground burial cable 2.5mm ² 50m reel
T9913	Cable	2 core ground burial cable 2.5mm ² 25m reel



Lighting for Gardens Limited. Registered No.3678804.
 Registered Office: Lower Clough Mill, Pendle Street, Barrowford, Lancashire BB9 8PH
 VAT No 587 6855 66
 Web: www.lightingforgardens.com
 Email: technicalsupport@lightingforgardens.com

Product design & specification subject to change or modification without notice. Image for illustration only. E&OE

