

## Elipta E8312SS- Waymarker 180 - Stainless Steel - 240v

### Description

Elipta E8312SS is a stylish 240v recessed light with 2 windows providing 180 degree lighting to one side of the top plate. It is useful where you want to cast a corona of light across a path or drive edge without casting light backwards onto planting or other finishes behind. The light is located by an "O" ring on the body into a sleeve tube so that no external screw fixings are visible. It may also be used as a deck light. The Stainless Steel single piece body Improves the IP rating properties of this product and is more suited to in-ground environments as the stainless steel is more resistant than aluminium in damp locations.

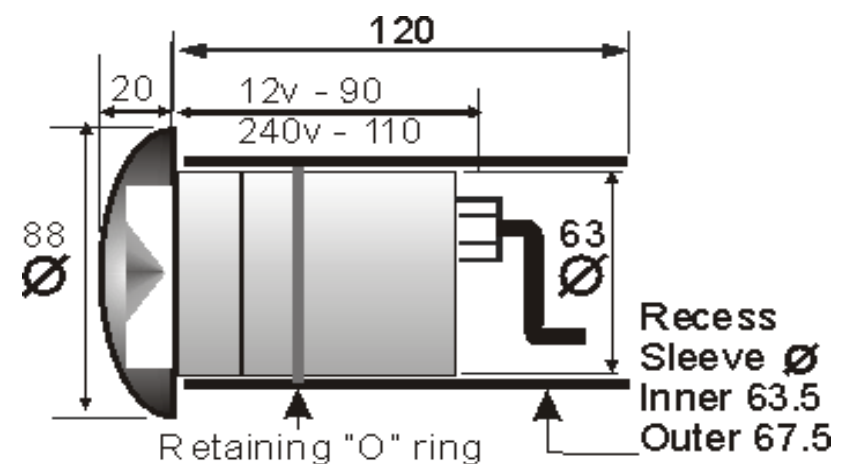
<b>Electrical data</b>	240v GU10 2 metre 2mm 3 core HO7RN-F cable fitted.
<b>Colour/ Finish</b>	316 Grade Stainless Steel bezel. One piece stainless steel body.
<b>Exterior Dimensions</b>	Top bezel diameter 88mm. Maximum height of dome 20mm. Body 63mm dia x 110mm long. Plastic sleeve 67.5mm x 120mm.



<b>Beam</b> 30°-60°	<b>240v</b> GU10
<b>IP66</b>	<b>Retrofit</b> LED
	<b>Pre-wired</b> 2m

### Installation guidelines

The plastic sleeve is built into the wall or ground during construction: the light pushes into the tube, where it is held firmly in place by an "O" ring, leaving a front plate with no visible fixing screws. Suitable drainage should be provided below each fitting to prevent water logging. Waymarkers should not be installed in ground subject to water logging.



**5 YEAR**  
**WARRANTY**

**Stainless steel body**

**Exclusions:** Damage by machinery, animals or the use of incorrect cleaning materials. Corrosion due to exposure to fertilizer, salt or chlorine. Damage due to incorrect installation practices. Responsibility for 3rd party costs; indirect or consequential loss

**2 YEAR**  
**WARRANTY**

**Internal wiring & lampholder**

**Exclusions:** Damage due to incorrect lamp fitting or lamps above specification. Responsibility for 3rd party cost; indirect or consequential loss