

B3031AMP LED strip RGB amplifier

The RGB Amplifier is used in instances where you may wish to control numerous RGB LED Strips simultaneously from one central controller. It simply boosts the original control signal, continuing the desired light effect or colour pattern.

RGB amplifiers can only be installed in parallel, not in series. Please see the diagram below for typical installation.



PHYSICAL & ELECTRICAL DATA

Receiver

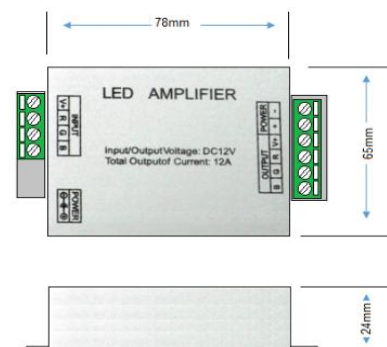
- Dimensions 78mm x 65mm x 24mm
- 12v Requires a remote DC constant voltage power supply
- Max current 12A (<4 Amp per channel RGB)
- Max load 144 watts (12v)
- Weight 104g
- Working temp -20c to +60c
- Suitable for common anode LED strip lights

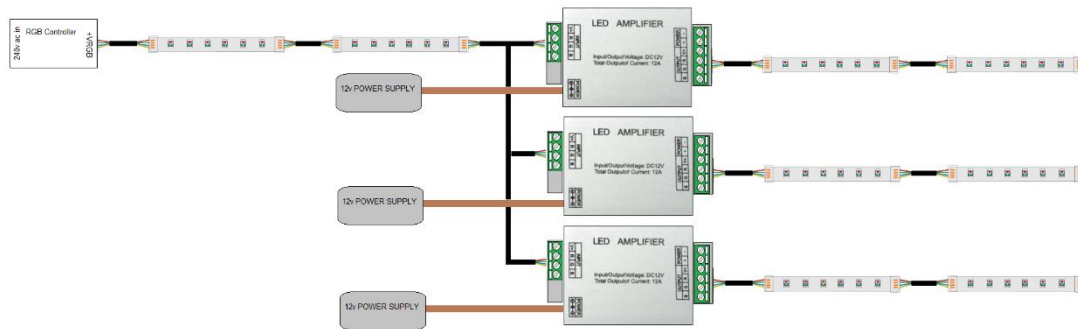
INSTALLATION

The amplifier must be installed in a dry environment. If installed outdoors the use of a suitable IP rated junction box to prevent moisture ingress is advisable.

COMPLIANCE & WARRANTY

- 2 year warranty





Typical installation.

- No more than two 5m RGB strips can be run from one amplifier using a 150w power supply.
- Power can be connected via to screw terminals above RGB output terminals.