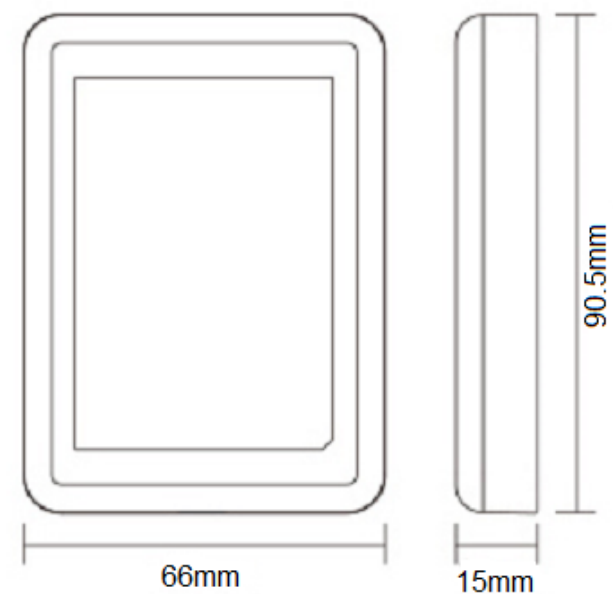


RGBIBOX2 - Wi-Fi iBox Controller

Description

The RGBIBOX2 Wi-Fi controller provides a simple link between the app on your smartphone or tablet and your garden lights. Search the app store for the free app. RGBIBOX2 receives commands from the app, which it wirelessly relays to any number of lamps selected within a 30m range line of sight. The RGBIBOX2 allows you to select a range of colour changing functions and speeds, auto on/off with timer function and even allows the dimming of lights.

The RGBIBOX2 get its power through USB DC5v/500mA adaptor just like a phone charger.



Installation guidelines

To configure the RGBIBOX2 to your home Wi-Fi:

1. simply open WLAN via phone or tablet connect to the wireless router,
2. press "RST" on the RGBIBOX2 (The SYS indicator light flickers, the link indicator light flashes),
3. Open Mi-Light APP, press + to start configuration.
4. Type in your wireless password, press "start configuration",
5. After the configuration is successful return to the device list, click search, then you can control it through your phone or tablet.