

Elipta E8311L- Waymarker 180 - Stainless Steel - 12v

Description

Elipta E8311L is a stylish 12v recessed light with 2 windows providing 180 degree lighting to one side of the top plate. It is useful where you want to cast a corona of light across a path or drive edge without casting light backwards onto planting or other finishes behind. The light is located by an "O" ring on the body into a sleeve tube so that no external screw fixings are visible. It may also be used as a deck light.

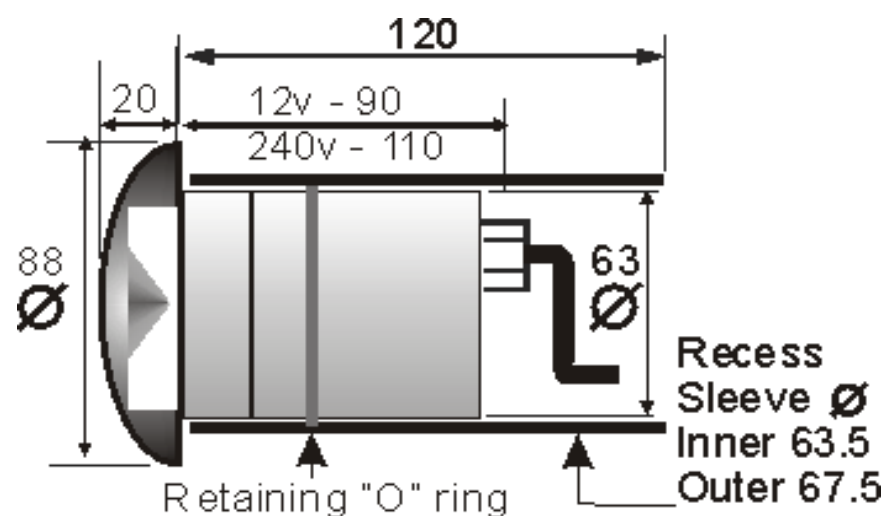


Electrical data	12v Retro-fit MR16 LED 2 metre x 2 core HO7RN-F cable.
Colour/ Finish	316 Grade Stainless Steel top with powder coated aluminium body.
Exterior Dimensions	88mm diameter protruding 20mm from ground, comes with a 120mm x 67.5 mm plastic sleeve.

Beam 30°-60°	12v MR16
IP65	Retrofit LED
	Pre-wired 2m

Installation guidelines

The plastic sleeve is built into the wall during construction or retrofitted into a hole cut with a coring bit: the light pushes into the tube, where it is held firmly in place by an "O" ring, leaving a front plate with no visible fixing screws. Recess depth 120mm. Waymarkers should not be installed in ground subject to waterlogging.



5 YEAR WARRANTY

Solid 316 stainless steel top

Exclusions: Damage by machinery, animals or the use of incorrect cleaning materials. Corrosion due to exposure to salt or chlorine. Natural brass will discolour (tarnish) over time. Damage due to incorrect installation practices.

2 YEAR WARRANTY

Powder coated aluminium body & fitting

Exclusions: Damage by machinery, animals or the use of incorrect cleaning materials. Corrosion due to exposure to salt or chlorine. Damage due to incorrect installation practices. Responsibility for 3rd party cost; indirect or consequential loss.

For further technical advice
call: **01462 486777** or
email: **technicalsupport@lightingforgardens.com**

www.lightingforgardens.com

