

Elipta E8412SS- Waymarker 360 - Stainless Steel - 240v

Description

Elipta E8412SS is a stylish 240v recessed light with 4 windows providing 360 degree lighting around the top plate. It is useful where you want to cast a corona of light both across a path or drive edge as well as backwards onto planting, lawn or other areas behind. The light is located by an "O" ring on the body into a sleeve tube so that no external screw fixings are visible. It may also be used as a deck light. The Stainless Steel single piece body Improves the IP rating properties of this product and is more suited to in-ground environments as the stainless steel is more resistant than aluminium in damp locations.

Electrical data	240v GU10 2 metre x 3 core HO7RN-F cable.
Colour/ Finish	316 grade stainless steel bezel. One piece stainless steel body.
Exterior Dimensions	Bezel top 88mm diameter. Dome maximum height 20mm. Body 63mm diameter x 110mm. Plastic sleeve 67.5mm x 120mm.

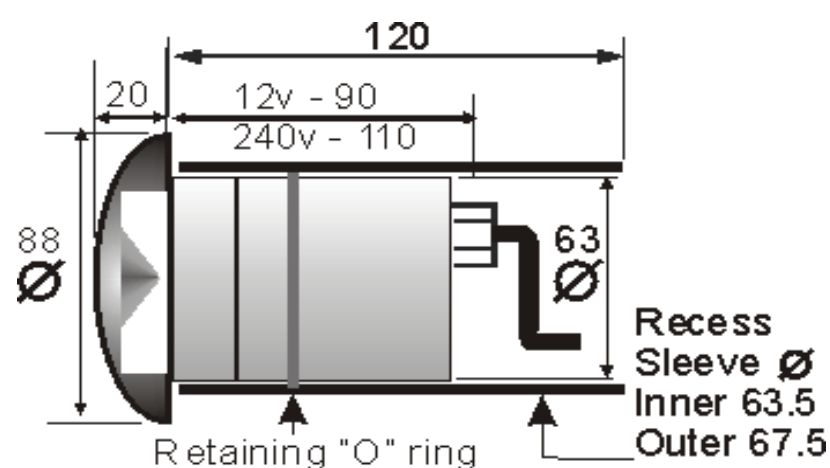
Not for use in areas prone to waterlogging or flooding



Installation guidelines

The plastic sleeve is built into the wall or ground during construction: the light pushes into the tube, where it is held firmly in place by an "O" ring, leaving a front plate with no visible fixing screws. Suitable drainage should be provided below each fitting to prevent water logging. Waymarkers should not be installed in ground subject to water logging.

Using a single RCD for large numbers of 240v fittings is not recommended due to the risk of nuisance tripping. We advise the use of separate RCD protection for each circuit and a maximum of 12 fittings per RCD.



5 YEAR WARRANTY

Stainless steel body

Exclusions: Damage by machinery, animals or the use of incorrect cleaning materials. Corrosion due to exposure to fertilizer, salt or chlorine. Damage due to incorrect installation practices. Responsibility for 3rd party costs; indirect or consequential loss

2 YEAR WARRANTY

wiring & lampholder

Exclusions: Damage due to incorrect lamp fitting or lamps above specification. Responsibility for 3rd party cost; indirect or consequential loss

For further technical advice
call: **01462 486777** or
email: **technicalsupport@lightingforgardens.com**

www.lightingforgardens.com