

**E995RGBF Walkover Opal Frosted Recessed RGB - 24v DC - Uplight**

Opal Walkover RGB light for striking lighting effects on walls, shrubs, small trees and low level architectural features. Using Red, Green and Blue LEDs these fittings can be controlled to use individual colours or an array of colours, smoothly changing at different cycle speeds using Light Symphony Colour LED Controller or a DMX controller.

**PHYSICAL DATA**

- Top constructed from 304 grade stainless steel
- Cast aluminium body
- Opal borosilicate glass lens
- Plastic soil sleeve
- IP67
- Operating temperature of lens less than 40°C
- Lens withstands 20Kn force
- 130mm diameter x 90mm deep

**ELECTRICAL DATA**

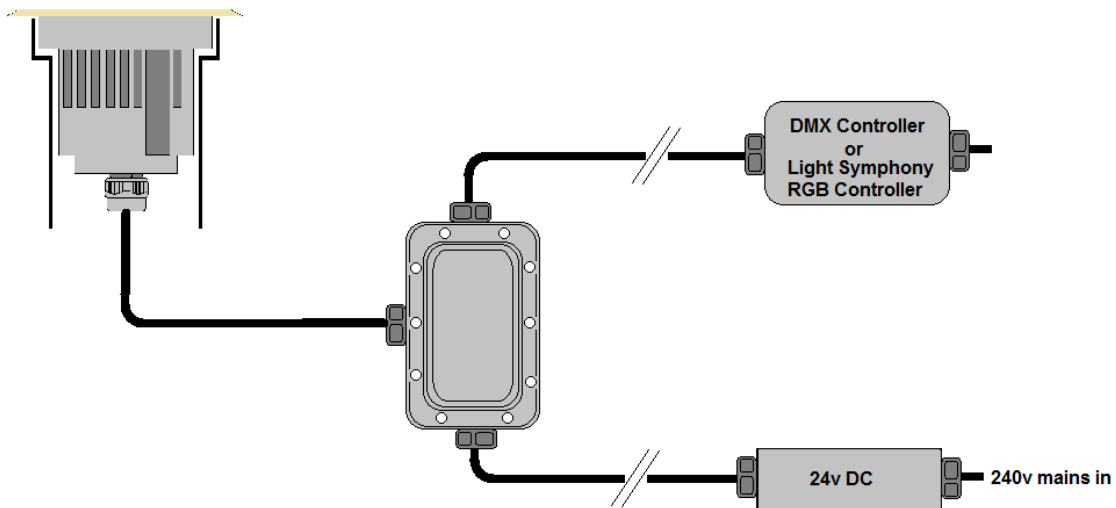
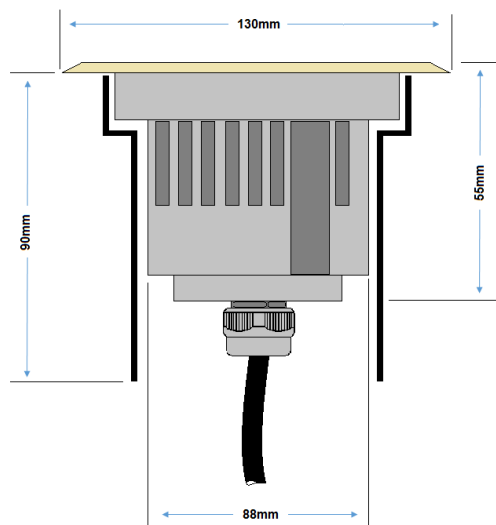
- 24v – requires power from a suitable 24volt DC power supply
- 5.4w
- 21 x 5050 SMD LED's
- 45° beam angle
- 250 Lumen output
- Full RGB colour spectrum – Requires control from Light Symphony LED Controller or DMX controller
- Pre-fitted cable. 1m two core (1.5mm<sup>2</sup>) H07RN-F Power & 1m two core (1.0mm<sup>2</sup>) Data cable to junction box. 1m cable between junction box and light fitting.

#### INSTALLATION

Direct burial in the ground. Prewired with cable and IP68 gland. Cable connections can be made using a T9962 Cable Joint Kit, a T9966 IP68 in-line connector or any IP rated junction box. Provide 300mm depth of shingle drainage below the uplight: do not use in waterlogged ground.

#### COMPLIANCE & WARRANTY

- 2 year warranty
- CE / RoHS Compliant



Lighting for Gardens Limited. Registered No.3678804.  
Registered Office: Lower Clough Mill, Pendle Street, Barrowford, Lancashire BB9 8PH  
VAT No 587 6855 66  
Web: [www.lightingforgardens.com](http://www.lightingforgardens.com)  
Email: [technicalsupport@lightingforgardens.com](mailto:technicalsupport@lightingforgardens.com)

Product design & specification subject to change or modification without notice. Image for illustration only. E&OE  
Ver 1.0